

INSTALLATION INSTRUCTIONS

Silo Pendant - Track

H/J/L-PD2015, H/J/L-PD2020

WAC LIGHTING

CAUTION: TO PREVENT ELECTRICAL SHOCK, ENSURE ELECTRICITY HAS BEEN TURNED OFF AT THE CIRCUIT BREAKER BEFORE BEGINNING.

- Read all instructions before installing.
- System is intended for installation by a licensed electrician in accordance with the National Electrical Code (NEC) and local regulations.
- When handling the fixture, do not apply pressure to the LEDs. Hold the fixture by the base only.
- Retain installation instructions for future maintenance reference.

WARNING: All parts must be used as indicated in these instructions. This product is designed for use only with the supplied parts and/or accessories designated for use by WAC Lighting. Substitution of parts or accessories not designated for use with this product by WAC Lighting could result in personal injury or property damage, and will void the warranty. Contact an authorized dealer or the manufacturer if any parts are damaged or missing.

MAINTENANCE NOTE: Coastal conditions may cause mineral and residue build-up on the fixture. We recommend that customers in coastal areas clean all external surfaces of the fixture once every two weeks with a wet cloth.

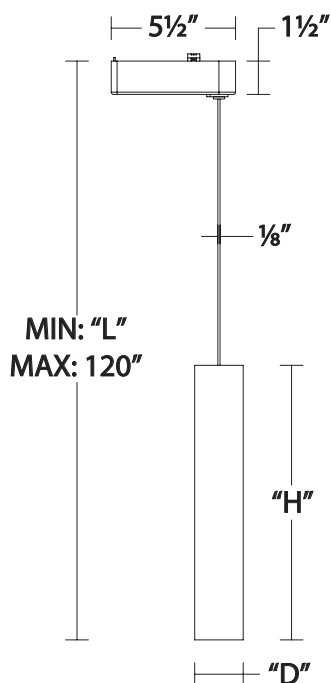
MISE EN GARDE: POUR ÉVITER TOUT CHOC ÉLECTRIQUE, ASSUREZ-VOUS QUE LE DISJONCTEUR SOIT MIS HORS TENSION AVANT DE COMMENCER.

- Lisez toutes les instructions avant l'installation.
- Le système doit être installé par un électricien licencié conformément au code national de l'électricité (NEC), et également aux règlements locaux.
- Lors de la manipulation du luminaire, n'appuyez pas sur les LED. Tenez-le uniquement par la base.

ATTENTION: Toutes les pièces doivent être utilisées comme indiqué dans ces instructions. Ce produit est conçu pour être utilisé seulement avec les pièces et/ou accessoires fournis pour être utilisés avec les produits WAC Lighting. Remplacer des pièces ou accessoires non conçus pour ce produit WAC Lighting pourrait causer des dommages corporels ou matériels et pourrait également causer l'annulation de la garantie. Veuillez contacter un revendeur autorisé ou le fabricant si des pièces manquent ou sont endommagées.

NOTE D'ENTRETIEN: Les conditions côtières peut causer une accumulation de minéraux et de résidus sur le luminaire. Nous recommandons aux clients qui résident dans les zones côtières de nettoyer toutes les surfaces externes du luminaire une fois toutes les deux semaines avec un chiffon humide.

OVERALL FIXTURE DIMENSIONS



FIXTURE OVERVIEW

Silo Pendant - Track is intended for use on WAC Lighting's track systems.

LED TRACK LUMINAIRE	TRACK SYSTEM
H-PD2015, H-PD2020 Series	120V H Track
J-PD2015, J-PD2020 Series	120V J or J2 Track
L-PD2015, L-PD2020 Series	120V L Track

	DIMENSIONS	
	H/J/L-PD2015	H/J/L-PD2020
"D"	2 1/8"	2 1/2"
"H"	12"	13 1/2"
"L"	16"	18"

SPECIFICATIONS	
Input:	120V, 50/60Hz
Installation:	WAC H, J/J2, or L Track
Dimming:	ELV (PD2015 & PD2020), TRIAC (PD2015 Only)

waclighting.com
Phone (800) 526.2588
Fax (800) 526.2585

Headquarters/Eastern Distribution Center
44 Harbor Park Drive
Port Washington, NY 11050

Central Distribution Center
1600 Distribution Ct
Lithia Springs, GA 30122

Western Distribution Center
1750 Archibald Avenue
Ontario, CA 91760



INSTALLATION INSTRUCTIONS

Silo Pendant - Track

H/J/L-PD2015, H/J/L-PD2020

WAC LIGHTING

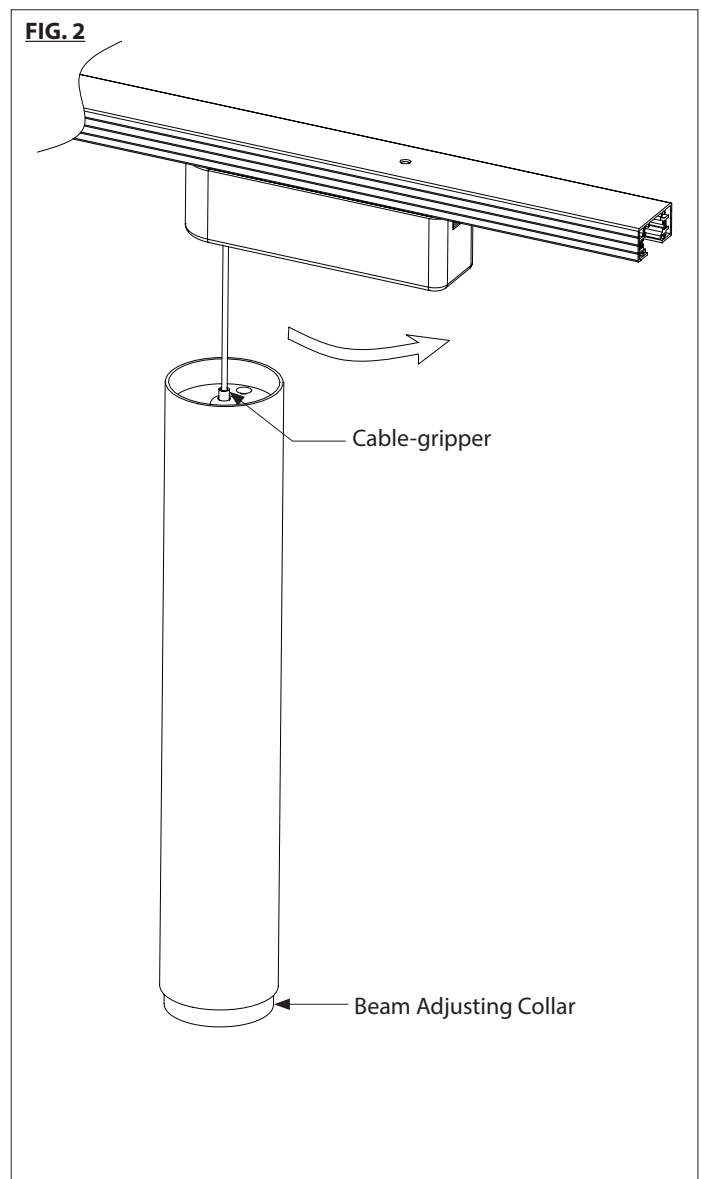
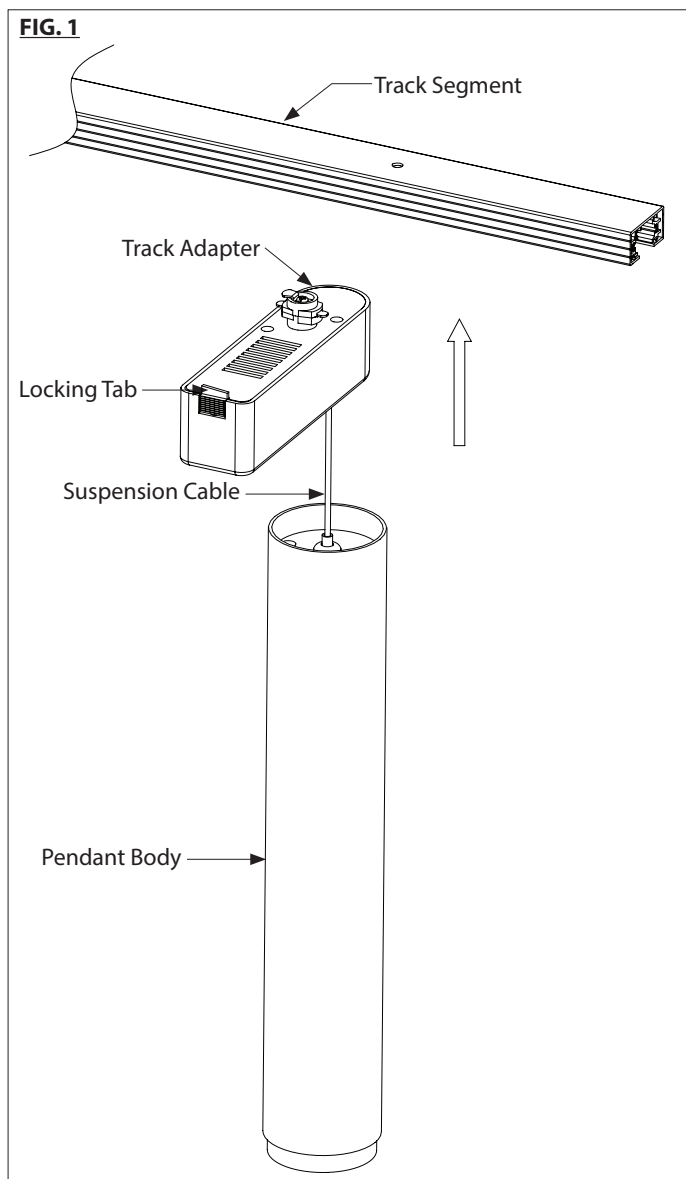
PREPARATION:

1. Shut off the power at the circuit breaker and ensure adequate room to install the new fixture on the track system.
2. Carefully unpack your new fixture and lay out all the parts on a clear area. Be careful not to lose any parts necessary for installation.

FIXTURE INSTALLATION FOR TRACK:

The fixture features a track adapter for power and mechanical connection to the installed track system.

1. The track has a groove running its length to indicate polarity. The fixture's track adapter has a sloped locking tab. (See **FIG. 1**).
2. Insert adapter into track slot. The short side of the sloped locking tab should be aligned to the track, when being rotated to install.
3. Push up and rotate the adapter into the lock position (See **FIG. 2**).
4. Pull the spring loaded locking tab and rotate in the opposite direction to remove it from the track. The fixture may be positioned anywhere along the track.



waclighting.com
Phone (800) 526.2588
Fax (800) 526.2585

Headquarters/Eastern Distribution Center
44 Harbor Park Drive
Port Washington, NY 11050

Central Distribution Center
1600 Distribution Ct
Lithia Springs, GA 30122

Western Distribution Center
1750 Archibald Avenue
Ontario, CA 91760



INSTALLATION INSTRUCTIONS

Silo Pendant - Track

H/J/L-PD2015, H/J/L-PD2020

WAC LIGHTING

ADJUSTING SUSPENSION HEIGHT:

To adjust the fixture suspension height, press the cable-gripper (See FIG. 3).

1. Reduce the suspension height by pressing the cable-gripper and pushing the suspension cable into the fixture body.
2. Increase the suspension height by pressing the cable-gripper and pulling the suspension cable from the fixture body.

ADJUSTING SUSPENSION HEIGHT (TROUBLESHOOTING):

The fixture features a removable cap to assist with wire kinks that prevent proper suspension height adjustment (See FIG. 4).

1. Power off the fixture and allow it to cool down.
2. While holding the fixture body, use a Phillips head screwdriver, remove the two (2) fixture cap screws. Pull the fixture cap from the body.
3. Manually straighten any wire kinks and test fixture adjustment using the cable-gripper.
4. Align the fixture cap the extrusion screw holes, and secure it using the previously removed fixture cap screws.

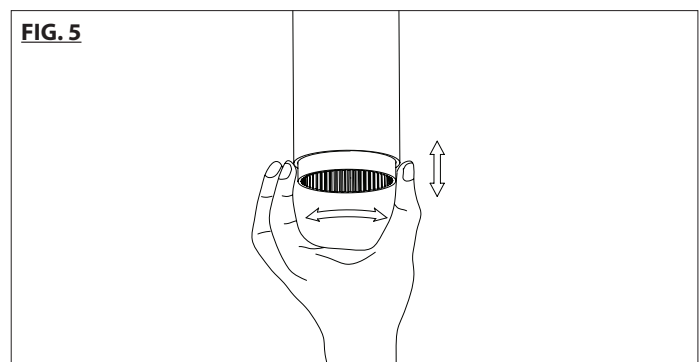
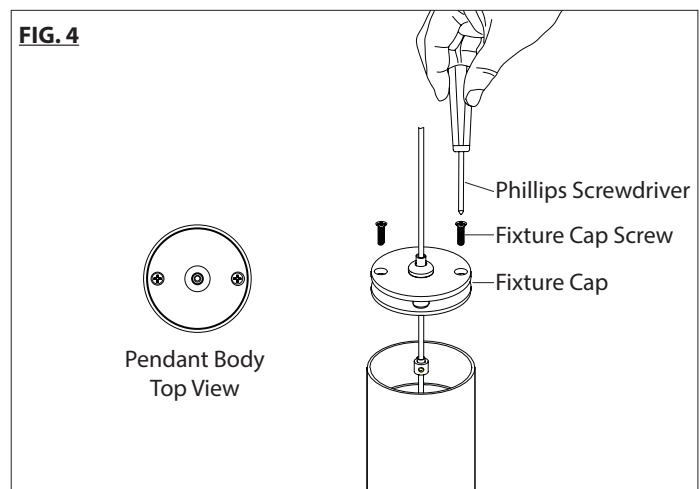
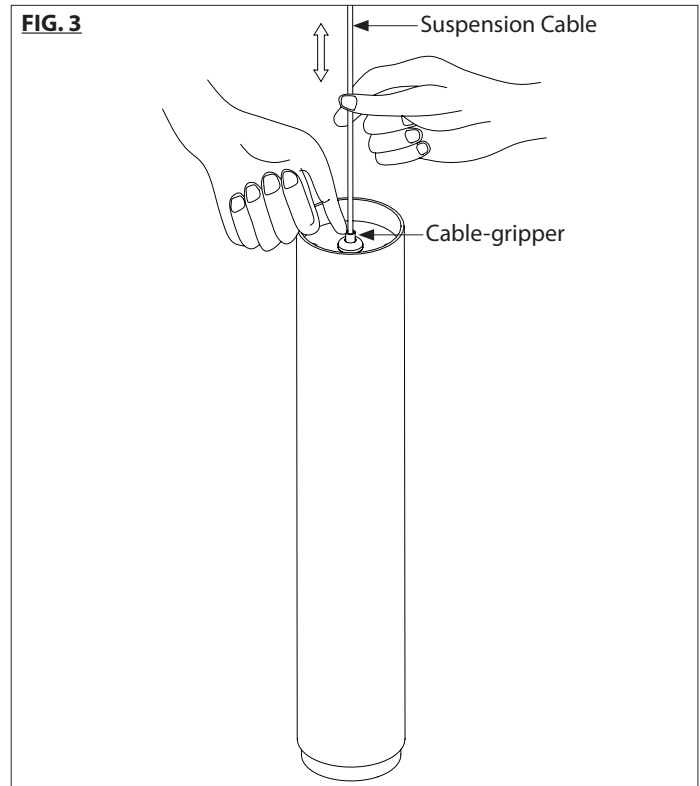
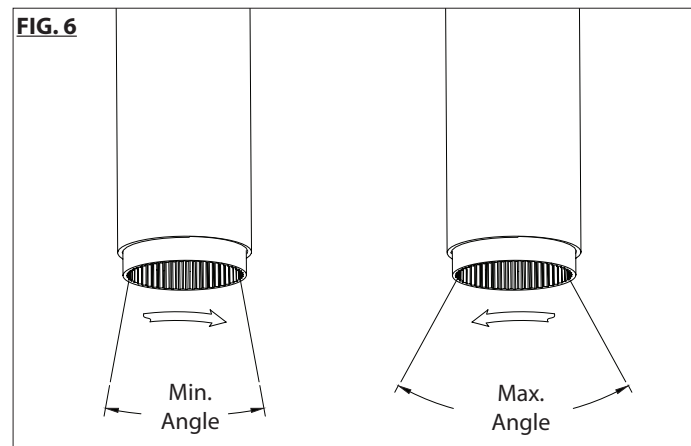
DYNAMIC BEAM ADJUSTMENT:

The fixture features a retractable beam adjusting collar that can be rotated to change beam angles.

1. Pull to extend the beam adjusting collar below the fixture body (See FIG. 5).
2. To increase beam angle, rotate the collar counterclockwise (CCW).

To decrease the beam angle, rotate the collar in the clockwise (CW) direction (See FIG. 6).

After the desired beam angle is achieved, the collar may be positioned in its extended state or retracted to be flush with the base of the fixture.



waclighting.com
Phone (800) 526.2588
Fax (800) 526.2585

Headquarters/Eastern Distribution Center
44 Harbor Park Drive
Port Washington, NY 11050

Central Distribution Center
1600 Distribution Ct
Lithia Springs, GA 30122

Western Distribution Center
1750 Archibald Avenue
Ontario, CA 91760



INSTALLATION INSTRUCTIONS

Silo Pendant - Track

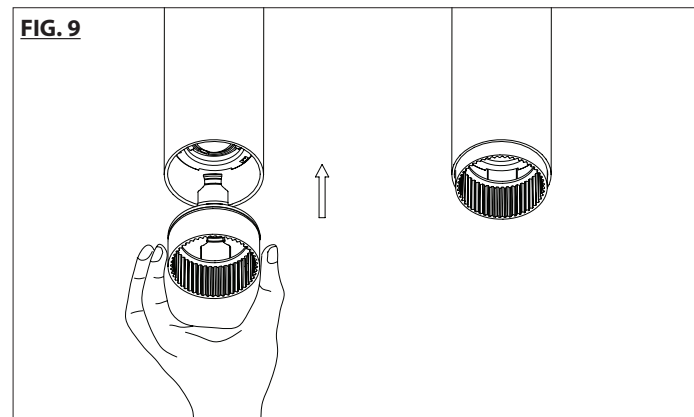
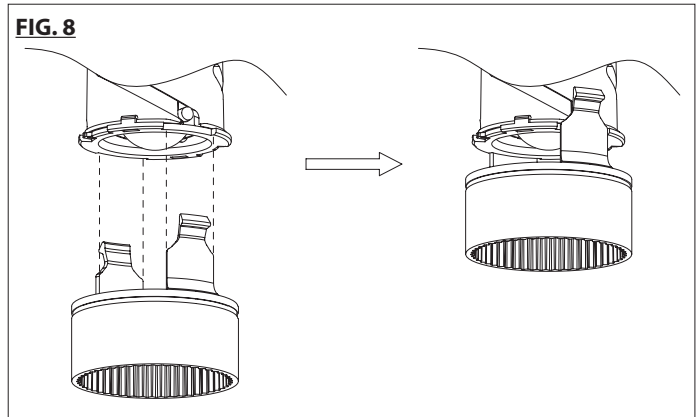
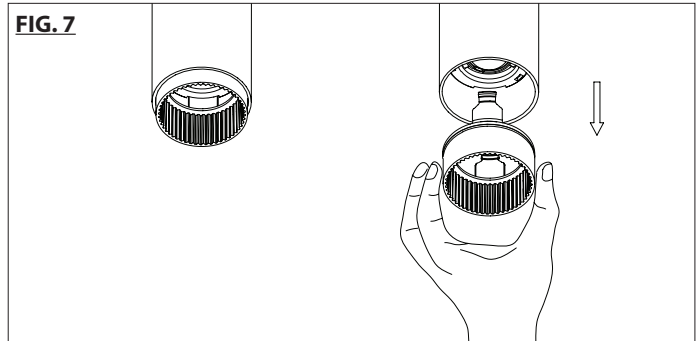
H/J/L-PD2015, H/J/L-PD2020

WAC LIGHTING

REPLACING THE COLLAR (FOR H/J/L-PD2015):

The beam adjustment collar may be replaced in field to change the decorative appearance of the fixture.

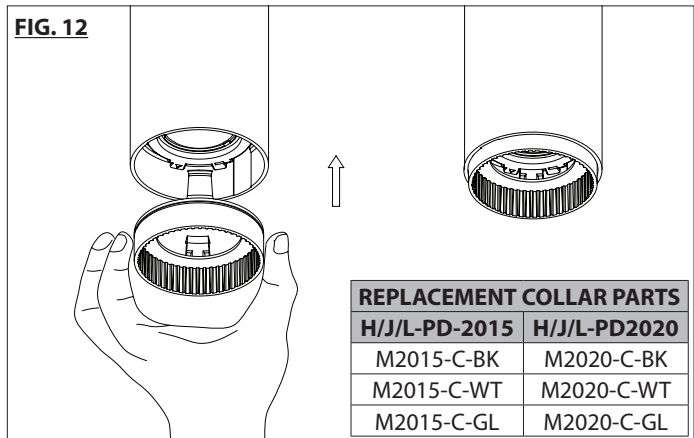
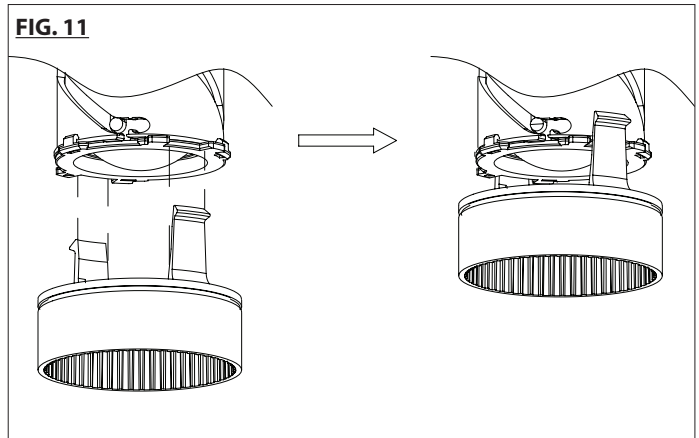
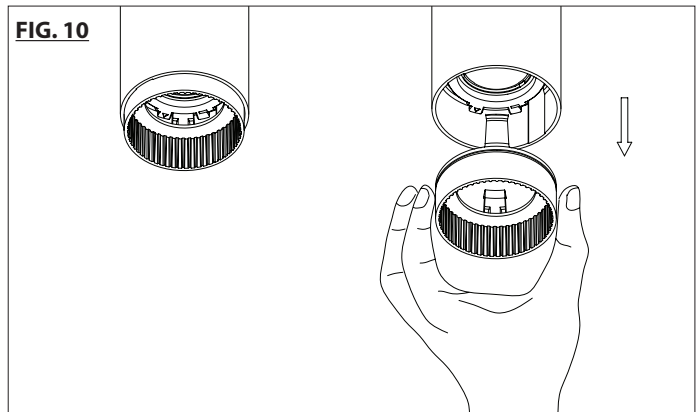
1. Power off the fixture and allow it to cool down.
2. Pull the collar down to its extended position. Using additional force, continue to pull the collar to remove it from the fixture (See **FIG. 7**).
3. Align the replacement collar with the groove of the beam changing mechanism and install to fixture (See. **FIG. 8 & 9**).



REPLACING THE COLLAR (FOR H/J/L-PD2020):

The beam adjustment collar may be replaced in field to change the decorative appearance of the fixture.

1. Power off the fixture and allow it to cool down.
2. Pull the collar down to its extended position. Using additional force, continue to pull the collar to remove it from the fixture (See **FIG. 10**).
3. Align the replacement collar with the groove of the beam changing mechanism and install to fixture (See. **FIG. 11 & 12**).



wacighting.com
Phone (800) 526.2588
Fax (800) 526.2585

Headquarters/Eastern Distribution Center
44 Harbor Park Drive
Port Washington, NY 11050

Central Distribution Center
1600 Distribution Ct
Lithia Springs, GA 30122

Western Distribution Center
1750 Archibald Avenue
Ontario, CA 91760

