

# INSTALLATION INSTRUCTION

## Lucio LED Monopoint

MO-6010/MO-6022

# WAC LIGHTING

Responsible Lighting®

### SAFETY INSTRUCTION

IMPORTANT: NEVER attempt any work without shutting off the electricity.

- Read all instructions before installing.
- System is intended for installation by a qualified electrician in accordance with the National Electrical Code and local regulations.
- Go to the main fuse box, or circuit breaker. Place the main power switch in the "OFF" position and unscrew the fuse(s) or switch "OFF" the circuit breaker switch(es) that control the power to the fixture or room that you are working on.
- Place the wall switch in the "OFF" position.

### AVERTISSEMENT

IMPORTANT : Coupez l'électricité avant TOUTE manipulation.

- IMPORTANT : Coupez l'électricité avant TOUTE manipulation.
- Lisez toutes les instructions avant d'installer.
- Système est destiné à être installé par un électricien qualifié en conformité avec le code national de l'électricité et les règlements locaux.
- Accédez au panneau central de disjoncteurs ou de fusibles de votre demeure et placez l'interrupteur principal en Position d'arrêt (« OFF »).
- Placez l'interrupteur mural en position d'arrêt (« OFF »).

All parts must be used as indicated in these instructions. Do not substitute any parts, leave parts out, or use any parts that are worn out or broken. Failure to follow this instruction could invalidate the UL listing of this fixture.

Electrical Data	
INPUT VOLTAGE	120-277V AC, 50/60Hz
DIMMING	ELV, 0-10V

### INSTALLING LAMP (FIG.1)

1. Loosen the three canopy screws, twist and separate the canopy cover from the base plate. (keep screws on base plate)
2. Remove the knock out marked with "WIRING HOLE" label from the base plate. (Another KO is not for use)
3. Attach the base plate to the surface by using slotted holes for mounting screws (supplied).
4. Connect fixture wires to building wires. This fixture features electronic low voltage (ELV) or 0-10V dimming capabilities. To utilize ELV, wire black (line hot) and white (line neutral) in accordance to dimmer specifications. To utilize 0-10V dimming, wire 0-10V+ (dim+), 0-10V- (dim-), black (line hot), white (line neutral) in accordance to dimmer specifications. Green fixture wire to ground.
5. Align the wiring hole on the canopy to the one on the base plate and mount it by twisting key holes over three screws in base plate.
6. Tighten screws to secure canopy.
7. After the light is on, rotate the luminaire body horizontally or vertically to aim properly.

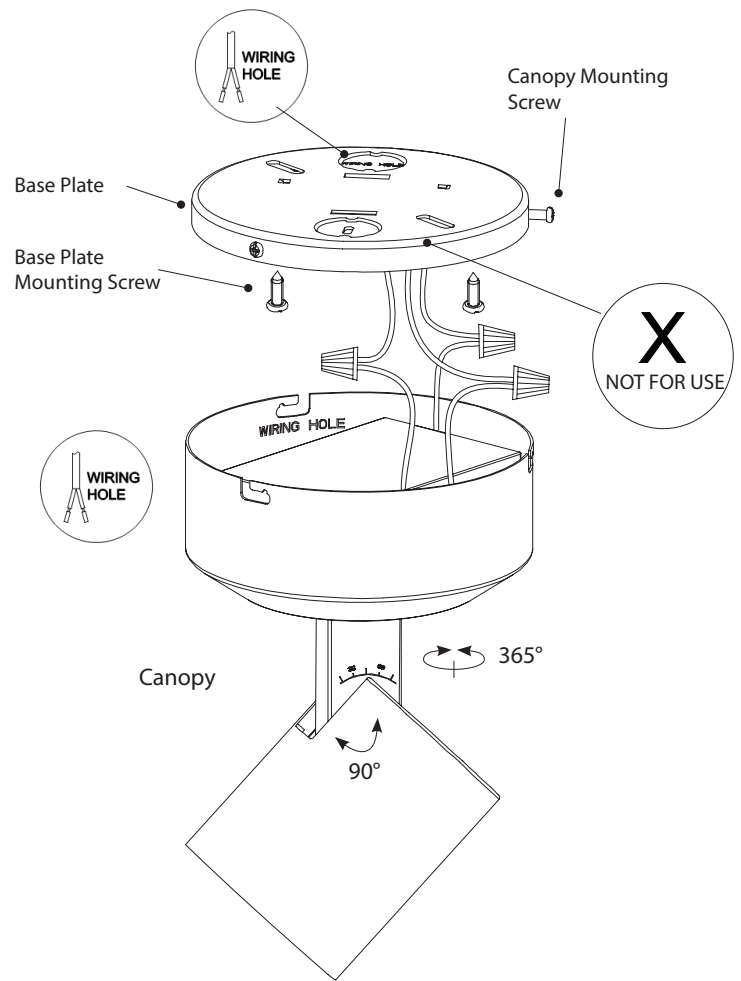


Fig.1

### WAC Lighting

www.waclighting.com

Phone (800) 526.2588 • Fax (800) 526.2585

### Headquarters/Eastern Distribution Center

44 Harbor Park Drive • Port Washington, NY 11050

Phone (516) 515.5000 • Fax (516) 515.5050

### Western Distribution Center

1750 Archibald Ave • Ontario, CA 91761

Phone (800) 526.2588 • Fax (800) 526.2585

# INSTALLATION INSTRUCTION

## Lucio LED Monopoint

MO-6010/MO-6022

# WAC LIGHTING

Responsible Lighting®

### ACCESSORIES:

With the power off, follow steps below. Reference specification sheet for compatible accessories.

#### Glare Control Accessory Installation:

**Step 1:** Gently move front cap forward to remove it. One torsion spring will remain engaged while other will slide out completely. (See Fig 2)

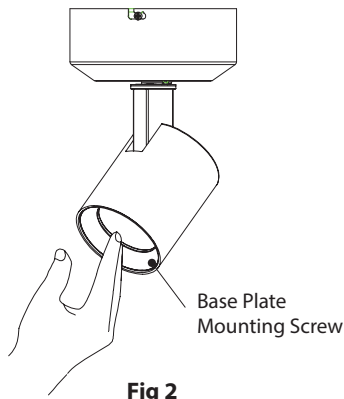


Fig 2

**Step 2:** Insert glare control accessory through the front frame. (See Fig 3)

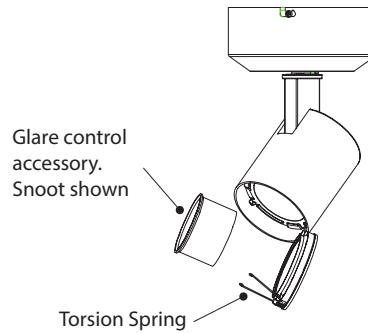


Fig 3

**Step 3:** Reinstall front cap back in place. Ensure torsion spring securely goes back into spring slot on fixture. (See Fig 4)

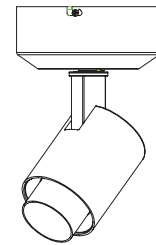


Fig 4

#### Lens Accessory Installation:

**Step 1:** Gently move front cap forward to remove it. (See Fig 5)

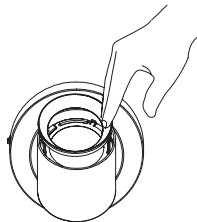


Fig 5

**Step 2:** Rotate lens holder with ears anticlockwise to remove it. (See Fig 6)

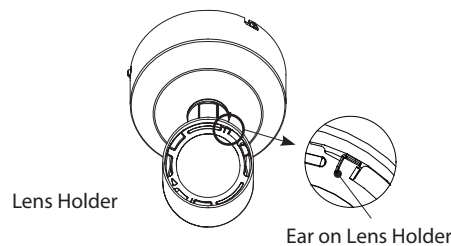


Fig 6

**Step 3:** Replace existing lens with new lens. (See Fig 7)

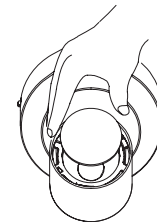


Fig 7

#### Lens Accessory Installation:

**Step 4:** Align the triangle mark on the lens holder to the one on the reflector holder, then rotate clockwise to lock it. (See Fig 8)

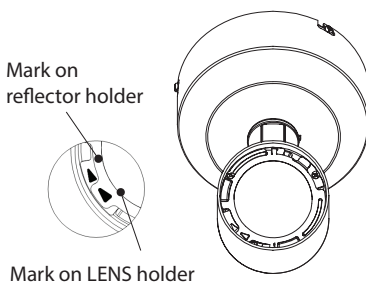


Fig 8

**Step 5:** Reinstall front cap back in place. Ensure torsion spring securely goes back into spring slot on fixture. (See Fig 9)

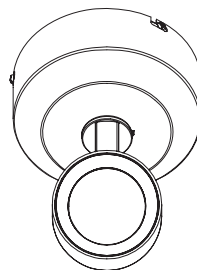


Fig 9

WAC Lighting  
www.waclighting.com  
Phone (800) 526.2588 • Fax (800) 526.2585

Headquarters/Eastern Distribution Center  
44 Harbor Park Drive • Port Washington, NY 11050  
Phone (516) 515.5000 • Fax (516) 515.5050

Western Distribution Center  
1750 Archibald Ave • Ontario, CA 91761  
Phone (800) 526.2588 • Fax (800) 526.2585