

## Tesla Pro 2" Trim High Brightness Round

Model	Beam	Color Temp & CRI	Lumens	CBCP	Finish
HR2LD-ET109P	F 55°	827 2700K - 85	935	972	BN Brushed Nickel CB Copper Bronze WT White
		830 3000K - 85	975	994.6	
		835 3500K - 85	1055	1090	
		840 4000K - 85	1075	1106	
		927 2700K - 90	760	777	
		930 3000K - 90	860	877.7	
	N 30°	827 2700K - 85	955	1765	
		830 3000K - 85	990	1807	
		835 3500K - 85	1080	2015	
		840 4000K - 85	1090	2035	
		927 2700K - 90	775	1436	
		930 3000K - 90	880	1619	
	S 15°	827 2700K - 85	725	3252	
		830 3000K - 85	780	3485	
		835 3500K - 85	785	3526	
		840 4000K - 85	810	3619	
		927 2700K - 90	610	2732	
		930 3000K - 90	550	3526	

Example: **HR2LD-ET109PF827BN**

### DESCRIPTION

Tesla series is at the pinnacle of where lighting innovation meets energy-efficiency. A high-performance serviceable integrated LED with a state of the art light engine delivers incredible maintenance-free optics and performance ideal for high-end residential and commercial applications. With a wide variety of solid die-cast trims in a multitude of handsome plated or powder coated finishes, the Tesla collection is sure to enhance style and appeal in any space. Tesla PRO provides up to 60% higher lumen output over the standard Tesla collection for when more lighting is required such as in tall ceiling applications. The trim and LED engine are manufactured as a single unit with endless amounts of specifications including shape and finish of trim, adjustability, color temperature, and beam distribution to create the perfect combinations of form, factor, and function.

### FEATURES

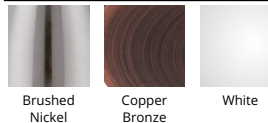
- 2" aperture
- 5 year warranty

### SPECIFICATIONS

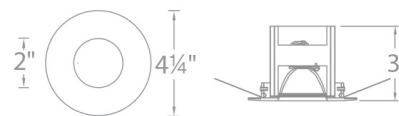
<b>Construction:</b>	Die-cast aluminum construction
<b>Power:</b>	14.5W
<b>Input:</b>	120-277 VAC, 50/60Hz
<b>Dimming:</b>	ELV: 100-5%, 0-10V: 100-0%
<b>Light Source:</b>	Integrated LED 3 Step Mac Adam Ellipse
<b>Rated Life:</b>	50000 Hours
<b>Mounting:</b>	Heavy gauge retention clips support trim firmly
<b>Finish:</b>	Electroplated Brushed Nickel, Electroplated Copper Bronze, Electrostatically Powder Coated White
<b>Ceiling Thickness:</b>	1/2" - 3/4"
<b>Operating Temp:</b>	-4°F to 104°F (-20°C to 40°C)
<b>Standards:</b>	ETL, cETL, Wet Location Listed, Title 24 JA8-2016 Compliant



### FINISHES



### LINE DRAWING



Fixture Type: \_\_\_\_\_

Catalog Number: \_\_\_\_\_

Project: \_\_\_\_\_

Location: \_\_\_\_\_

## Tesla Pro

### New Construction IC Airtight Housing

#### Model & Product

HR-2LED-H09D-ICA Tesla 2in LED IC-Rated New Construction Housing  
 HR-2LED-H09D-ICAC Tesla 2in LED IC-Rated Chicago Plenum Rated New Construction Housing

Example: **HR-2LED-H09D-ICA**

#### DESCRIPTION

Tesla series is at the pinnacle of where lighting innovation meets energy-efficiency. A high-performance serviceable integrated LED with a state of the art light engine delivers incredible maintenance-free optics and performance ideal for high-end residential and commercial applications. With a wide variety of solid die-cast trims in a multitude of handsome plated or powder coated finishes, the Tesla collection is sure to enhance style and appeal in any space. Tesla PRO provides up to 60% higher lumen output over the standard Tesla collection for when more lighting is required such as in tall ceiling applications. The trim and LED engine are manufactured as a single unit with endless amounts of specifications including shape and finish of trim, adjustability, color temperature, and beam distribution to create the perfect combinations of form, factor, and function.

#### FEATURES

- Driver concealed within the fixture
- 5 year warranty

#### SPECIFICATIONS

Construction:	20 gauge cold rolled steel
Power:	14.5W
Input:	120-277 VAC, 50/60Hz
Dimming:	ELV: 100-5%, 0-10V: 100-0%
Mounting:	Heavy gauge retention clips secures housing firmly to ceiling
Cut Out:	3 7/8"
Finish:	Aluminum
Ceiling Thickness:	1/2" - 3/4"
Operating Temp:	-4°F to 104°F (-20°C to 40°C)
Standards:	ETL, cETL, IC, Airtight

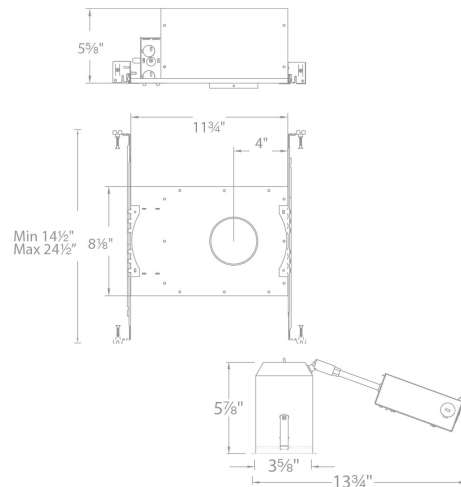


#### FINISHES



Aluminum

#### LINE DRAWING



## Tesla Pro Remodel Airtight Housing

Model & Product  
HR-2LED-R09D-A Tesla 2in LED Remodel Housing

Example: **HR-2LED-R09D-A**

### DESCRIPTION

Tesla series is at the pinnacle of where lighting innovation meets energy-efficiency. A high-performance serviceable integrated LED with a state of the art light engine delivers incredible maintenance-free optics and performance ideal for high-end residential and commercial applications. With a wide variety of solid die-cast trims in a multitude of handsome plated or powder coated finishes, the Tesla collection is sure to enhance style and appeal in any space. Tesla PRO provides up to 60% higher lumen output over the standard Tesla collection for when more lighting is required such as in tall ceiling applications. The trim and LED engine are manufactured as a single unit with endless amounts of specifications including shape and finish of trim, adjustability, color temperature, and beam distribution to create the perfect combinations of form, factor, and function.

### FEATURES

- Driver concealed within the fixture
- 5 year warranty

### SPECIFICATIONS

Construction:	20 gauge cold rolled steel
Power:	14.5W
Input:	120-277 VAC, 50/60Hz
Dimming:	ELV: 100-5%, 0-10V: 100-0%
Mounting:	Heavy gauge retention clips secures housing firmly to ceiling
Cut Out:	3 7/8"
Finish:	Aluminum
Ceiling Thickness:	1/2" - 3/4"
Operating Temp:	-4°F to 104°F (-20°C to 40°C)
Standards:	ETL, cETL, Non IC, Airtight

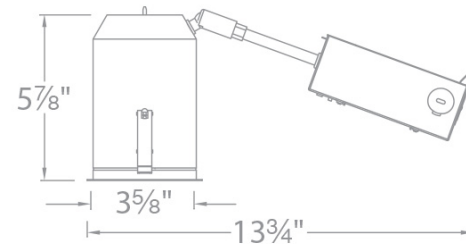


### FINISHES



Aluminum

### LINE DRAWING



Fixture Type: \_\_\_\_\_

Catalog Number: \_\_\_\_\_

Project: \_\_\_\_\_

Location: \_\_\_\_\_

Fixture Type: \_\_\_\_\_

Catalog Number: \_\_\_\_\_

Project: \_\_\_\_\_

Location: \_\_\_\_\_

## Tesla Pro

### Remodel Adjustable Housing

#### Model & Product

HR-2LED-R14D Tesla 2in LED Adjustable Remodel Housing

Example: **HR-2LED-R14D**

#### DESCRIPTION

Tesla series is at the pinnacle of where lighting innovation meets energy-efficiency. A high-performance serviceable integrated LED with a state of the art light engine delivers incredible maintenance-free optics and performance ideal for high-end residential and commercial applications. With a wide variety of solid die-cast trims in a multitude of handsome plated or powder coated finishes, the Tesla collection is sure to enhance style and appeal in any space. Tesla PRO provides up to 60% higher lumen output over the standard Tesla collection for when more lighting is required such as in tall ceiling applications. The trim and LED engine are manufactured as a single unit with endless amounts of specifications including shape and finish of trim, adjustability, color temperature, and beam distribution to create the perfect combinations of form, factor, and function.

#### FEATURES

- Driver concealed within the fixture
- 5 year warranty

#### SPECIFICATIONS

Construction:	20 gauge cold rolled steel
Power:	14.5W
Input:	120-277 VAC, 50/60Hz
Dimming:	ELV: 100-5%, 0-10V: 100-0%
Mounting:	Heavy gauge retention clips secures housing firmly to ceiling
Cut Out:	4 7/8"
Finish:	Aluminum
Ceiling Thickness:	1/2" - 3/4"
Operating Temp:	-4°F to 104°F (-20°C to 40°C)
Standards:	ETL, cETL, Non IC



#### FINISHES



Aluminum

#### LINE DRAWING

