

Fixture Type: _____

Catalog Number: _____

Project: _____

Location: _____

Tesla Pro 2" Open Reflector Round

Model	Beam	Color Temp & CRI	Lumens	CBCP	Finish
HR2LEDT109P	F 40°	827 2700K - 85	720	1278	BN Brushed Nickel
		830 3000K - 85	760	1330	CB Copper Bronze
		835 3500K - 85	830	1476	WT White
		840 4000K - 85	860	1519	
		927 2700K - 90	595	1037	
		930 3000K - 90	675	1158	
	N 27°	827 2700K - 85	750	2077	
		830 3000K - 85	810	2250	
		835 3500K - 85	865	2378	
		840 4000K - 85	890	2457	
		927 2700K - 90	630	1656	
		930 3000K - 90	700	1871	
	S 15°	827 2700K - 85	590	3260	
		830 3000K - 85	635	3493	
		835 3500K - 85	640	3534	
		840 4000K - 85	655	3627	
		927 2700K - 90	495	2738	
		930 3000K - 90	450	2479	

Example: **HR2LEDT109PF827BN**

DESCRIPTION

Tesla series is at the pinnacle of where lighting innovation meets energy-efficiency. A high-performance serviceable integrated LED with a state of the art light engine delivers incredible maintenance-free optics and performance ideal for high-end residential and commercial applications. With a wide variety of solid die-cast trims in a multitude of handsome plated or powder coated finishes, the Tesla collection is sure to enhance style and appeal in any space. Tesla PRO provides up to 60% higher lumen output over the standard Tesla collection for when more lighting is required such as in tall ceiling applications. The trim and LED engine are manufactured as a single unit with endless amounts of specifications including shape and finish of trim, adjustability, color temperature, and beam distribution to create the perfect combinations of form, factor, and function.

FEATURES

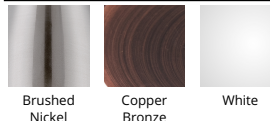
- 2" aperture
- 30° visual cutoff angle for glare control
- 5 year warranty

SPECIFICATIONS

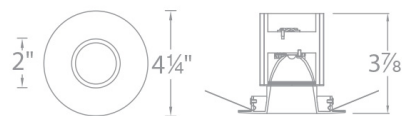
Construction:	Die-cast aluminum construction
Power:	14.5W
Input:	120-277 VAC, 50/60Hz
Dimming:	ELV: 100-5%, 0-10V: 100-0%
Light Source:	Integrated LED 3 Step Mac Adam Ellipse
Rated Life:	50000 Hours
Mounting:	Heavy gauge retention clips support trim firmly
Finish:	Electrostatically Powder Coated White, Electroplated Brushed Nickel, Electroplated Copper Bronze
Ceiling Thickness:	1/2" - 3/4"
Operating Temp:	-4°F to 104°F (-20°C to 40°C)
Standards:	ETL, cETL, Damp Location Listed, Title 24 JA8-2016 Compliant



FINISHES



LINE DRAWING



Tesla Pro

New Construction IC Airtight Housing

Model & Product

HR-2LED-H09D-ICA Tesla 2in LED IC-Rated New Construction Housing
 HR-2LED-H09D-ICAC Tesla 2in LED IC-Rated Chicago Plenum Rated New Construction Housing

Example: **HR-2LED-H09D-ICA**

DESCRIPTION

Tesla series is at the pinnacle of where lighting innovation meets energy-efficiency. A high-performance serviceable integrated LED with a state of the art light engine delivers incredible maintenance-free optics and performance ideal for high-end residential and commercial applications. With a wide variety of solid die-cast trims in a multitude of handsome plated or powder coated finishes, the Tesla collection is sure to enhance style and appeal in any space. Tesla PRO provides up to 60% higher lumen output over the standard Tesla collection for when more lighting is required such as in tall ceiling applications. The trim and LED engine are manufactured as a single unit with endless amounts of specifications including shape and finish of trim, adjustability, color temperature, and beam distribution to create the perfect combinations of form, factor, and function.

FEATURES

- Driver concealed within the fixture
- 5 year warranty

SPECIFICATIONS

Construction:	20 gauge cold rolled steel
Power:	14.5W
Input:	120-277 VAC, 50/60Hz
Dimming:	ELV: 100-5%, 0-10V: 100-0%
Mounting:	Heavy gauge retention clips secures housing firmly to ceiling
Cut Out:	3 7/8"
Finish:	Aluminum
Ceiling Thickness:	1/2" - 3/4"
Operating Temp:	-4°F to 104°F (-20°C to 40°C)
Standards:	ETL, cETL, IC, Airtight

Fixture Type: _____

Catalog Number: _____

Project: _____

Location: _____

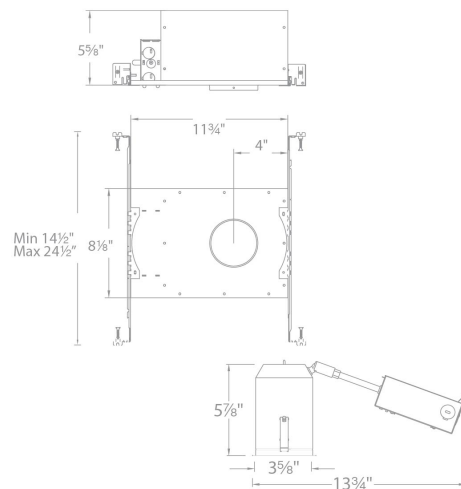


FINISHES



Aluminum

LINE DRAWING



Tesla Pro Remodel Airtight Housing

Model & Product

HR-2LED-R09D-A Tesla 2in LED Remodel Housing

Example: **HR-2LED-R09D-A**

DESCRIPTION

Tesla series is at the pinnacle of where lighting innovation meets energy-efficiency. A high-performance serviceable integrated LED with a state of the art light engine delivers incredible maintenance-free optics and performance ideal for high-end residential and commercial applications. With a wide variety of solid die-cast trims in a multitude of handsome plated or powder coated finishes, the Tesla collection is sure to enhance style and appeal in any space. Tesla PRO provides up to 60% higher lumen output over the standard Tesla collection for when more lighting is required such as in tall ceiling applications. The trim and LED engine are manufactured as a single unit with endless amounts of specifications including shape and finish of trim, adjustability, color temperature, and beam distribution to create the perfect combinations of form, factor, and function.

FEATURES

- Driver concealed within the fixture
- 5 year warranty

SPECIFICATIONS

Construction:	20 gauge cold rolled steel
Power:	14.5W
Input:	120-277 VAC, 50/60Hz
Dimming:	ELV: 100-5%, 0-10V: 100-0%
Mounting:	Heavy gauge retention clips secures housing firmly to ceiling
Cut Out:	3 7/8"
Finish:	Aluminum
Ceiling Thickness:	1/2" - 3/4"
Operating Temp:	-4°F to 104°F (-20°C to 40°C)
Standards:	ETL, cETL, Non IC, Airtight

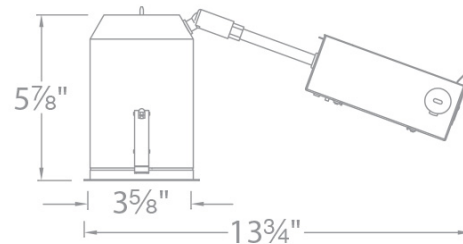


FINISHES



Aluminum

LINE DRAWING



Fixture Type: _____

Catalog Number: _____

Project: _____

Location: _____

Fixture Type: _____

Catalog Number: _____

Project: _____

Location: _____

Tesla Pro

Remodel Adjustable Housing

Model & Product

HR-2LED-R14D Tesla 2in LED Adjustable Remodel Housing

Example: **HR-2LED-R14D**

DESCRIPTION

Tesla series is at the pinnacle of where lighting innovation meets energy-efficiency. A high-performance serviceable integrated LED with a state of the art light engine delivers incredible maintenance-free optics and performance ideal for high-end residential and commercial applications. With a wide variety of solid die-cast trims in a multitude of handsome plated or powder coated finishes, the Tesla collection is sure to enhance style and appeal in any space. Tesla PRO provides up to 60% higher lumen output over the standard Tesla collection for when more lighting is required such as in tall ceiling applications. The trim and LED engine are manufactured as a single unit with endless amounts of specifications including shape and finish of trim, adjustability, color temperature, and beam distribution to create the perfect combinations of form, factor, and function.

FEATURES

- Driver concealed within the fixture
- 5 year warranty

SPECIFICATIONS

Construction:	20 gauge cold rolled steel
Power:	14.5W
Input:	120-277 VAC, 50/60Hz
Dimming:	ELV: 100-5%, 0-10V: 100-0%
Mounting:	Heavy gauge retention clips secures housing firmly to ceiling
Cut Out:	4 7/8"
Finish:	Aluminum
Ceiling Thickness:	1/2" - 3/4"
Operating Temp:	-4°F to 104°F (-20°C to 40°C)
Standards:	ETL, cETL, Non IC



FINISHES



Aluminum

LINE DRAWING

