

# WAC LIGHTING

Fixture Type: \_\_\_\_\_

Catalog Number: \_\_\_\_\_

Project: \_\_\_\_\_

Location: \_\_\_\_\_

## Tesla Pro 3.5"

0° - 35° Adjustable Trim Round

| Model       | Beam  | Color Temp & CRI | Lumens | CBCP | Finish                   |  |
|-------------|-------|------------------|--------|------|--------------------------|--|
| HR3LEDT318P | F 55° | 827 2700K - 80   | 1145   | 1364 | BBN Black/Brushed Nickel |  |
|             |       | 830 3000K - 80   | 1195   | 1428 | BCB Black/Copper Bronze  |  |
|             |       | 835 3500K - 80   | 1290   | 1548 | BN Brushed Nickel        |  |
|             |       | 840 4000K - 80   | 1310   | 1574 | BWT Black/White          |  |
|             |       | 927 2700K - 90   | 970    | 1165 | CB Copper Bronze         |  |
|             |       | 930 3000K - 90   | 1085   | 1302 | HBN Haze/Brushed Nickel  |  |
|             | N 30° | 827 2700K - 80   | 1180   | 2472 | HCB Haze/Copper Bronze   |  |
|             |       | 830 3000K - 80   | 1225   | 2555 | HWT Haze/White           |  |
|             |       | 835 3500K - 80   | 1330   | 2811 | WT White                 |  |
|             |       | 840 4000K - 80   | 1355   | 2809 |                          |  |
|             |       | 927 2700K - 90   | 990    | 2104 |                          |  |
|             |       | 930 3000K - 90   | 1115   | 2387 |                          |  |
|             | S 18° | 827 2700K - 80   | 875    | 4098 |                          |  |
|             |       | 830 3000K - 80   | 935    | 4391 |                          |  |
|             |       | 835 3500K - 80   | 950    | 4442 |                          |  |
|             |       | 840 4000K - 80   | 975    | 4559 |                          |  |
|             |       | 927 2700K - 90   | 735    | 3442 |                          |  |
|             |       | 930 3000K - 90   | 665    | 3116 |                          |  |
|             |       |                  |        |      |                          |  |
|             |       |                  |        |      |                          |  |
|             |       |                  |        |      |                          |  |

Example: **HR3LEDT318PF827BBN**

### DESCRIPTION

Tesla series is at the pinnacle of where lighting innovation meets energy-efficiency. A high-performance serviceable integrated LED with a state of the art light engine delivers incredible maintenance-free optics and performance ideal for high-end residential and commercial applications. With a wide variety of solid die-cast trims in a multitude of handsome plated or powder coated finishes, the Tesla collection is sure to enhance style and appeal in any space. Tesla PRO provides up to 60% higher lumen output over the standard Tesla collection for when more lighting is required such as in tall ceiling applications. The trim and LED engine are manufactured as a single unit with endless amounts of specifications including shape and finish of trim, adjustability, color temperature, and beam distribution to create the perfect combinations of form, factor, and function.

### FEATURES

- 30° visual cutoff angle for glare control
- 5 year warranty

### SPECIFICATIONS

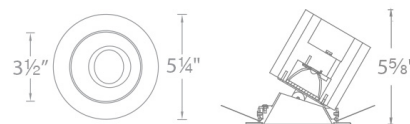
|                           |  |
|---------------------------|--|
| <b>Construction:</b>      | Die-cast aluminum construction   |
| <b>Power:</b>             | 22W  |
| <b>Input:</b>             | 120-277 VAC, 50/60Hz   |
| <b>Dimming:</b>           | ELV: 100-5%, 0-10V: 100-0%   |
| <b>Light Source:</b>      | Integrated LED   |
|                           | 3 Step Mac Adam Ellipse  |
| <b>Rated Life:</b>        | 50000 Hours  |
| <b>Mounting:</b>          | Heavy gauge retention clips support trim firmly  |
| <b>Finish:</b>            | Electroplated Copper Bronze, Enamel Coated Haze/Brushed Nickel, Enamel coated Black/White, Electroplated Brushed Nickel, Enamel Coated Haze/Copper Bronze, Enamel Coated Haze/White, Electrostatically Powder Coated White, Electroplated Black/Brushed Nickel, Electroplated Black/Copper Bronze, Enamel coated Haze/Brushed Nickel |
| <b>Ceiling Thickness:</b> | 1/2" - 3/4"  |
| <b>Operating Temp:</b>    | -4°F to 104°F (-20°C to 40°C)  |
| <b>Standards:</b>         | ETL, cETL, Damp Location Listed  |



### FINISHES



### LINE DRAWING



Fixture Type: \_\_\_\_\_

Catalog Number: \_\_\_\_\_

Project: \_\_\_\_\_

Location: \_\_\_\_\_

## Tesla 3.5"

### New Construction Housing IC Airtight

#### Model & Product

HR3LED-H18D1 Tesla 3.5in LED IC-Rated Airtight Narrow New Construction Housing

Example: **HR-3LED-H18D1-ICA**

#### DESCRIPTION

Tesla series is at the pinnacle of where lighting innovation meets energy-efficiency. A high-performance serviceable integrated LED with a state of the art light engine delivers incredible maintenance-free optics and performance ideal for high-end residential and commercial applications. With a wide variety of solid die-cast trims in a multitude of handsome plated or powder coated finishes, the Tesla collection is sure to enhance style and appeal in any space. Tesla PRO provides up to 60% higher lumen output over the standard Tesla collection for when more lighting is required such as in tall ceiling applications. The trim and LED engine are manufactured as a single unit with endless amounts of specifications including shape and finish of trim, adjustability, color temperature, and beam distribution to create the perfect combinations of form, factor, and function.

#### FEATURES

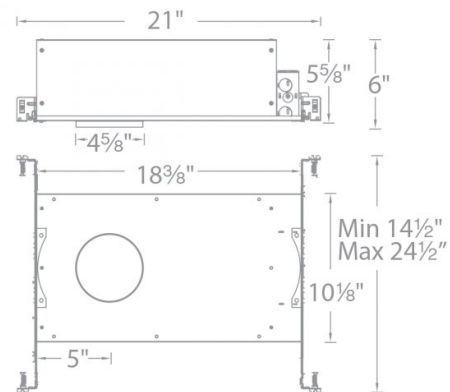
- Tesla 3.5in LED IC-Rated Airtight Narrow New Construction Housing
- The Tesla series is engineered with state of the art high output LED technology for optimal thermal management and heat dissipation
- Driver concealed within the fixture
- 5 year warranty

#### SPECIFICATIONS

|                           |   |
|---------------------------|---|
| <b>Construction:</b>      | 20 Gauge cold rolled steel                                    |
| <b>Power:</b>             | 21.5W   |
| <b>Input:</b>             | 120-277 VAC, 50/60Hz  |
| <b>Dimming:</b>           | ELV: 100-5%, 0-10V: 100-0%                                    |
| <b>Mounting:</b>          | Heavy gauge retention clips secures housing firmly to ceiling |
| <b>Cut Out:</b>           | 4 5/8"  |
| <b>Finish:</b>            |   |
| <b>Ceiling Thickness:</b> | 1/2" - 3/4"   |
| <b>Operating Temp:</b>    | -4°F to 104°F (-20°C to 40°C)                                 |
| <b>Standards:</b>         | ETL, cETL, IC, Airtight                                       |



#### LINE DRAWING



Fixture Type: \_\_\_\_\_

Catalog Number: \_\_\_\_\_

Project: \_\_\_\_\_

Location: \_\_\_\_\_

## Tesla 3.5" Remodel Housing

### Model & Product

HR-3LED-R22D Tesla 3.5in LED Non-IC Remodel Housing for Adjustable Trim

Example: **HR-3LED-R22D**

### DESCRIPTION

Tesla series is at the pinnacle of where lighting innovation meets energy-efficiency. A high-performance serviceable integrated LED with a state of the art light engine delivers incredible maintenance-free optics and performance ideal for high-end residential and commercial applications. With a wide variety of solid die-cast trims in a multitude of handsome plated or powder coated finishes, the Tesla collection is sure to enhance style and appeal in any space. Tesla PRO provides up to 60% higher lumen output over the standard Tesla collection for when more lighting is required such as in tall ceiling applications. The trim and LED engine are manufactured as a single unit with endless amounts of specifications including shape and finish of trim, adjustability, color temperature, and beam distribution to create the perfect combinations of form, factor, and function.

### FEATURES

- Tesla 3.5in LED Non-IC Remodel Housing for Adjustable Trim
- The Tesla series is engineered with state of the art high output LED technology for optimal thermal management and heat dissipation
- Driver concealed within the fixture
- 5 year warranty

### SPECIFICATIONS

|                           |   |
|---------------------------|---|
| <b>Construction:</b>      | 20 Gauge cold rolled steel                                    |
| <b>Power:</b>             | 21.5W   |
| <b>Input:</b>             | 120-277 VAC, 50/60Hz  |
| <b>Dimming:</b>           | ELV: 100-5%, 0-10V: 100-0%                                    |
| <b>Mounting:</b>          | Heavy gauge retention clips secures housing firmly to ceiling |
| <b>Cut Out:</b>           | 4 5/8"  |
| <b>Finish:</b>            |   |
| <b>Ceiling Thickness:</b> | 1/2" - 1"   |
| <b>Operating Temp:</b>    | -4°F to 104°F (-20°C to 40°C)                                 |
| <b>Standards:</b>         | ETL, cETL, Non IC   |



### LINE DRAWING

