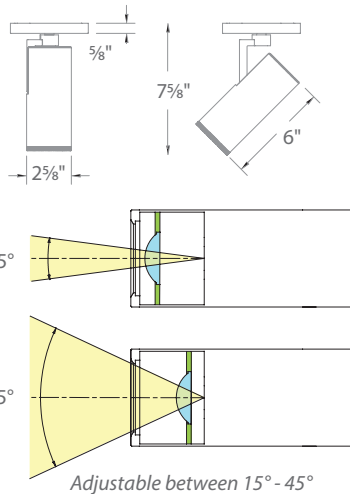


# PALOMA – model: MO-4023

## Monopoint Luminaire

# WAC LIGHTING

Responsible Lighting®



Fixture Type:

Catalog Number:

Project: \_\_\_\_\_

Location: \_\_\_\_\_

### PRODUCT DESCRIPTION

Museum-quality LED luminaire with adjustable beam angle.

### FEATURES

- Continuously adjustable beam angle between 15° - 45°
- Ceiling and wall mountable
- Stealth armature with 365° horizontal rotation and 90° vertical aiming
- Beam alignment indicator
- Patents Pending
- 50,000 hour rated life
- 5 year warranty

### SPECIFICATIONS

**Construction:** Die-cast aluminum with rotatable front face

**Input:** 120 VAC 50/60Hz

**Power:** 23W

**Light Source:** High output COB LED

**Dimming:** 100%-5% ELV and TRIAC

**Rated Life:** 50,000 hours

**Standards:** UL & cUL Damp Location Listed,  
Title 24 JA8-2016 Compliant.

### ORDER NUMBER

| Model   | Color Temp | CRI   | Beam | Lumens | CBCP | Finish |                      |
|---------|------------|-------|------|--------|------|--------|----------------------|
| MO-4023 | 827        | 2700K | 85   | 15°    | 845  | 4965   | BK Black<br>WT White |
|         |            |       |      | 45°    | 1220 | 1840   |                      |
|         | 927        | 2700K | 90   | 15°    | 710  | 4265   |                      |
|         |            |       |      | 45°    | 1025 | 1560   |                      |
|         | 830        | 3000K | 85   | 15°    | 875  | 5175   |                      |
|         |            |       |      | 45°    | 1270 | 1905   |                      |
|         | 930        | 3000K | 90   | 15°    | 765  | 4570   |                      |
|         |            |       |      | 45°    | 1100 | 1670   |                      |
|         | 835        | 3500K | 85   | 15°    | 925  | 5405   |                      |
|         |            |       |      | 45°    | 1335 | 2000   |                      |
|         | 840        | 4000K | 85   | 15°    | 945  | 5355   |                      |
|         |            |       |      | 45°    | 1355 | 2010   |                      |



Optional Focusing Framing  
Projector Accessory FP-K

- Dual adjustable optical lenses precision focus light for crisp illumination
- Adjustable framing shims create a feature accenting, rectangular pattern of illumination

### MO-4023-930-

Example: MO-4023-930-BK

Accommodates one lens accessory and one glare control accessory, or one framing projector.

### LENS ACCESSORIES

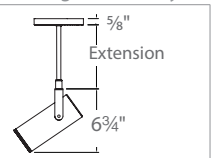
|                 |                    |
|-----------------|--------------------|
| Amber           | <b>LENS-16-AMB</b> |
| Blue            | <b>LENS-16-BLU</b> |
| Green           | <b>LENS-16-GRN</b> |
| Red             | <b>LENS-16-RED</b> |
| Frosted         | <b>LENS-16-FR</b>  |
| Spread          | <b>LENS-16-SPR</b> |
| Beam Elongating | <b>LENS-16-BEL</b> |

### FOCUSING FRAMING PROJECTOR ACCESSORIES

|                                  |  |
|----------------------------------|--|
| FP-K-BK                          |  |
| FP-K-WT                          |  |
| <b>GLARE CONTROL ACCESSORIES</b> |  |
| Cross Louver                     | <b>LENS-16P-CRL-BK</b><br><b>LENS-16P-CRL-WT</b>   |
| Snoot                            | <b>LENS-16-SNOOT-BK</b><br><b>LENS-16-SNOOT-WT</b> |
| Honeycomb                        | <b>LENS-16-HCL</b>                                 |

### EXTENSIONS Custom order as a complete unit. Ceiling mount only.

| Extension | MO4023 | Color Temp | Finish   |
|-----------|--------|------------|----------|
| X6 6"     | MO4023 | 827        | BK<br>WT |
| X12 12"   |        | 927        |          |
| X18 18"   |        | 830        |          |
| X24 24"   |        | 930        |          |
| X36 36"   |        | 835        |          |
| X48 48"   |        | 840        |          |



Example: X6-MO4023930WT

### WAC Lighting

www.waclighting.com  
Phone (800) 526.2588 • Fax (800) 526.2585

### Headquarters/Eastern Distribution Center

44 Harbor Park Drive • Port Washington, NY 11050  
Phone (516) 515.5000 • Fax (516) 515.5050

### Western Distribution Center

1750 Archibald Avenue • Ontario, CA 91760  
Phone (800) 526.2588 • Fax (800) 526.2585