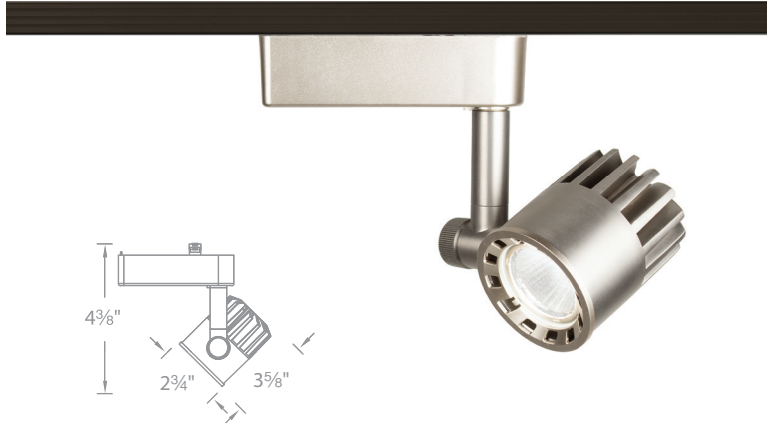


# EXTERMINATOR – model: LED20

LEDme® H/L/J Track Luminaire

# WAC LIGHTING

Responsible Lighting®



Fixture Type:

Catalog Number:

Project: \_\_\_\_\_

Location: \_\_\_\_\_

## PRODUCT DESCRIPTION

LEDme® Exterminator offers superior light output in a small, unobtrusive design. Developed for upscale residential and commercial environments.

## FEATURES

- Energy Star® Rated
- Accommodates one lens accessory
- Reflectors and LED modules can be purchased separately for alternative beam angles and color temperatures
- 355° horizontal rotation and 180° vertical aiming
- Lockable vertical aiming for precise adjustments
- 60,000 hour rated life
- 5 year WAC Lighting product warranty

## SPECIFICATIONS

- Construction:** Die-cast aluminum with removable front cap for easy change of lenses or accessories
- Power Consumption:** 23W
- Light Source:** High output COB LED
- Dimming:** 100%-5% Electronic Low Voltage
- Finish:** Powder coated Black and White  
Electroplated Brushed Nickel
- Standards:** ETL&cETL Listed

## ORDER NUMBER

System	Beam	Color Temp	CRI	Lumens	CBCP	Finish
<b>H</b> H TRACK <b>L</b> L TRACK <b>J</b> J/J2 TRACK	<b>LED20S</b> 20°	<b>27</b> 2700K 85 1230 5853	<b>BN</b> Brushed Nickel <b>BK</b> Black <b>WT</b> White			
		<b>927</b> 2700K 90 1085 5178				
		<b>30</b> 3000K 85 1345 6232				
		<b>930</b> 3000K 90 1190 5509				
		<b>35</b> 3500K 85 1400 6620				
		<b>40</b> 4000K 85 1450 6772				
	<b>LED20F</b> 40°	<b>27</b> 2700K 85 1230 2586				
		<b>927</b> 2700K 90 1135 2462				
		<b>30</b> 3000K 85 1280 2692				
		<b>930</b> 3000K 90 1160 2518				
		<b>35</b> 3500K 85 1385 2897				
		<b>40</b> 4000K 85 1390 2928				

## FLAT LENS ACCESSORIES

Amber	<b>LENS-16-AMB</b>
Blue	<b>LENS-16-BLU</b>
Green	<b>LENS-16-GRN</b>
Red	<b>LENS-16-RED</b>
Yellow	<b>LENS-16-YEL</b>
UV Filter	<b>LENS-16-UVF</b>
Frosted	<b>LENS-16-FR</b>
Spread	<b>LENS-16-SPR</b>
Beam Elongating	<b>LENS-16-BEL</b>

## REFLECTORS

20°	<b>RF-S</b>
40°	<b>RF-F</b>

## LED MODULES

2700K CRI 85	<b>BXRC-27E1000</b>
2700K CRI 90	<b>BXRC-27G1000</b>
3000K CRI 85	<b>BXRC-30E1000</b>
3000K CRI 90	<b>BXRC-30G1000</b>
3500K CRI 85	<b>BXRC-35E1000</b>
4000K CRI 85	<b>BXRC-40E1000</b>



Example: **H-LED20S-927-WT**

wacighting.com  
Phone (800) 526.2588  
Fax (800) 526.2585

Headquarters/Eastern Distribution Center  
44 Harbor Park Drive  
Port Washington, NY 11050

Central Distribution Center  
1600 Distribution Ct  
Lithia Springs, GA 30122

Western Distribution Center  
1750 Archibald Avenue  
Ontario, CA 91760