

Rod mount fixture: Use the swivel included or the swivel from your fixture kits. Do not use plastic connectors.

Cord mount fixture: Use the plastic connectors included or use the plastic connectors from your fixture kits. Do not use the swivels.

1-Fasten mounting plate to the outlet box and to the building structure at ends of the mounting plate prevent sagging.

2-Estimate height of fixtures and rods or cord needed to achieve this height.

3-Follow fixture directions for cord or rod preparation and installation.

4-For Rod installation fasten swivel to top of rod set.

5-thread wires or cord through the face plate of the ceiling plate.

6-prepare wires and connect them to building wiring as per instructions included with fixture kits.

7-Once wire connections are finished carefully tuck in wires and lift the face plate up to slide onto the two studs sticking down allowing them to protrude through the face plate.

8-Fasten the faceplate to the two studs protruding through it with the cylinder nuts.

MINI-PENDANT FIXTURE INSTALLATION INSTRUCTIONS

Please read carefully and save these instructions, as you may need them at a later date.

CAUTION

WARNING: Risk of Fire. Consult a qualified electrician to ensure correct branch circuit conductor. Min 90°C supply conductors.

Turn off the main power at the circuit breaker before installing the fixture, in order to prevent possible shock.

GENERAL

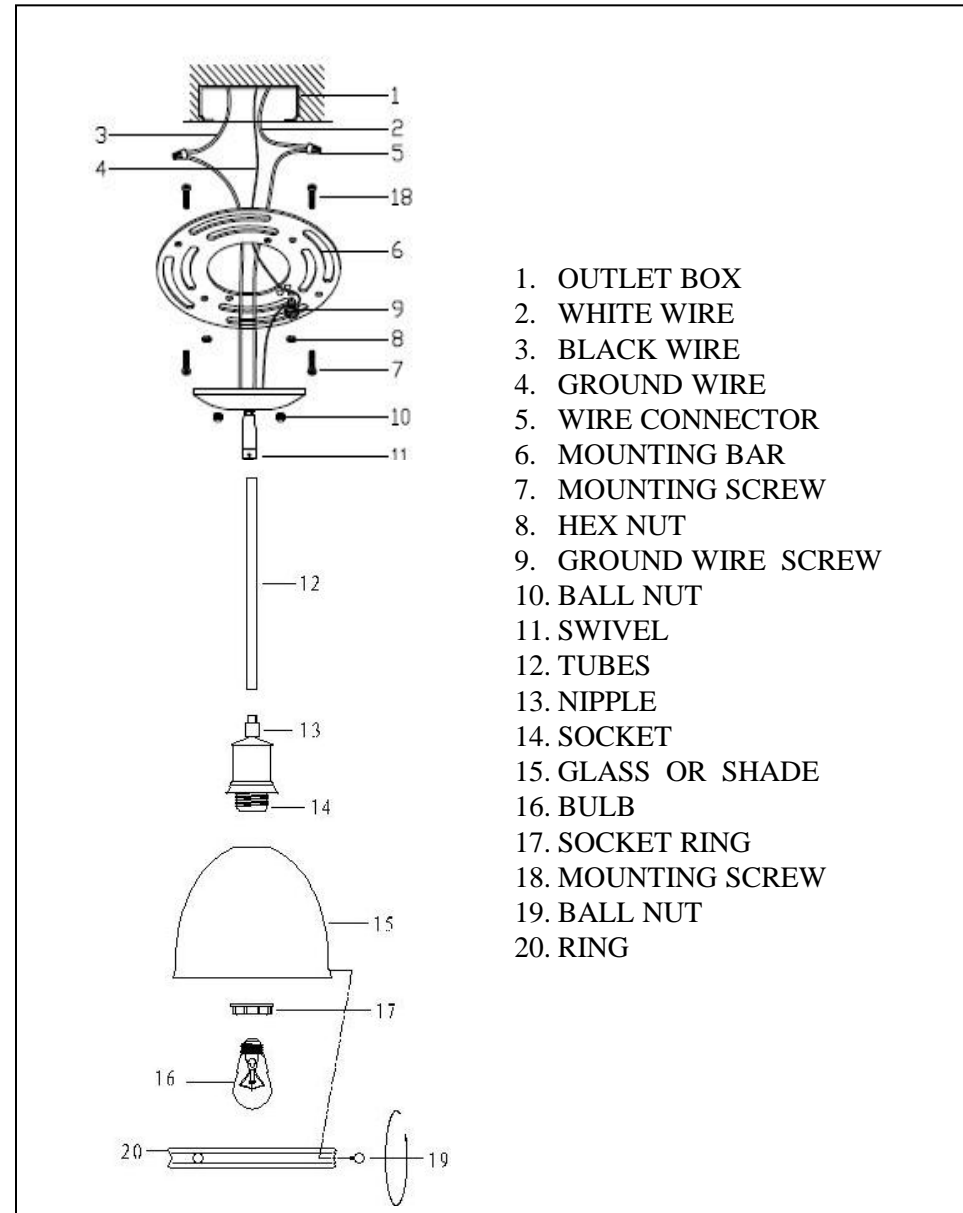
All electrical connections must be in accordance with local and National Electrical Code (N.E.C.) standards. If you are unfamiliar with proper electrical wiring connections obtain the services of a qualified electrician.

Remove the fixture and the mounting package from the box and make sure that no parts are missing by referencing the illustrations on the installation instructions.

ASSEMBLY AND INSTALLATION

1. Thread the Tubes(12) onto fixture Nipple(13),then thread the tube with the swivel(11).
2. Thread two Screw(18) to the Mounting bar(6) and secure with the Hex nut(8).
3. Secure the Mounting bar(6) with Mounting screw(7) to the Outlet box(1).
4. Pull out the outlet wire and ground wire from the Outlet box(1).Make wire connections
 - Ribbed wire(w/o marking) from light to White wire(2) from power source.
 - Smooth wire(w/o marking) from light to Black wire(3) from power source.
 - Loop the Ground wire(4) to Mounting bar(6) with a Green screw(9)
5. Attach the fixture canopy against the Outlet box(1),secure with the Ball nut(10)
6. Attach the Glass(15) to the Glass Holder through Socket(14),then secure by Socket ring(17)
- 7.Install bulbs:(bulbs not include)
(Please don't exceed the maximum capacity that recommended on the sockets).

INSTALLATION IS NOW COMPLETED



1. OUTLET BOX
2. WHITE WIRE
3. BLACK WIRE
4. GROUND WIRE
5. WIRE CONNECTOR
6. MOUNTING BAR
7. MOUNTING SCREW
8. HEX NUT
9. GROUND WIRE SCREW
10. BALL NUT
11. SWIVEL
12. TUBES
13. NIPPLE
14. SOCKET
15. GLASS OR SHADE
16. BULB
17. SOCKET RING
18. MOUNTING SCREW
19. BALL NUT
20. RING